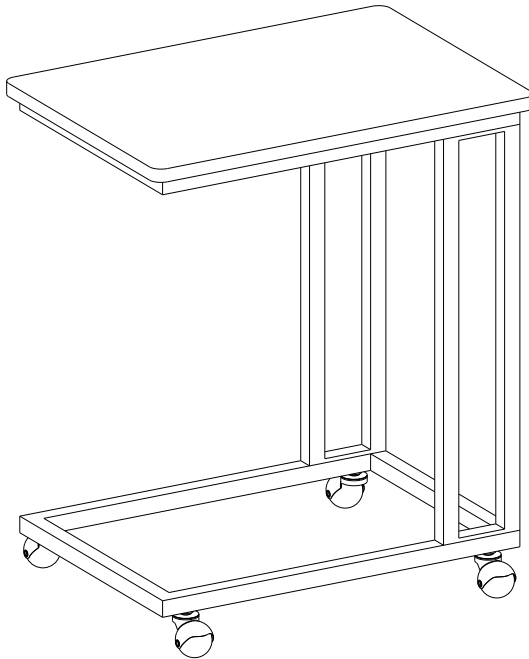
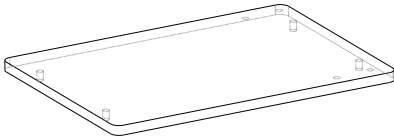
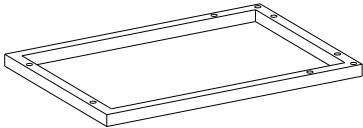
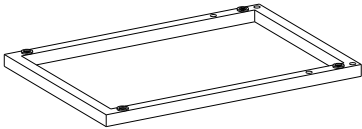

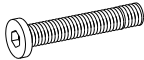
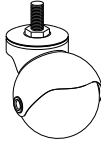
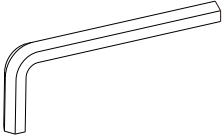
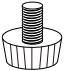
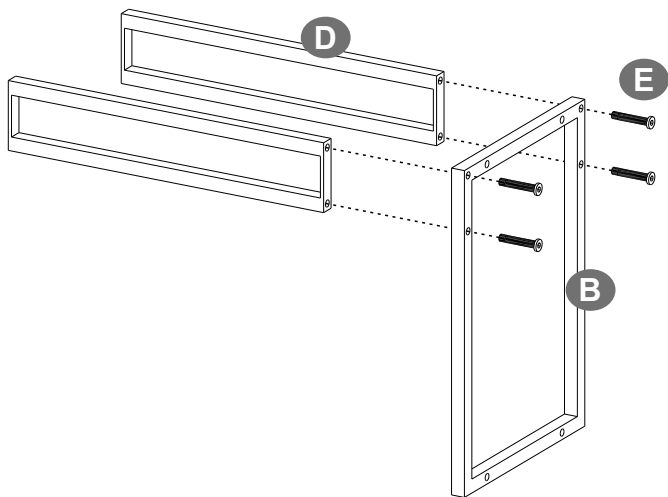


# LNT50



<p><b>A</b> × 1</p>  A rectangular frame with a double-layered design. It has four small rectangular tabs protruding from the corners of the inner frame.	<p><b>B</b> × 1</p>  A rectangular frame with a double-layered design, similar to part A but without the corner tabs.
<p><b>C</b> × 1</p>  A rectangular frame with a double-layered design, similar to part B but with small rectangular tabs protruding from the corners of the outer frame.	<p><b>D</b> × 2</p>  A long, narrow rectangular frame with a double-layered design.
<p><b>E</b> × 12</p>  A hex head screw with a threaded shaft. <p>M6 × 30mm</p>	<p><b>F</b> × 4</p>  A circular bracket with a central hole and a small protrusion on the side.
<p><b>G</b> × 1</p>  An L-shaped bracket with a long arm and a shorter arm, both with a double-layered design.	<p><b>H</b> × 4</p>  A circular washer with a central hole and a textured outer edge.

1

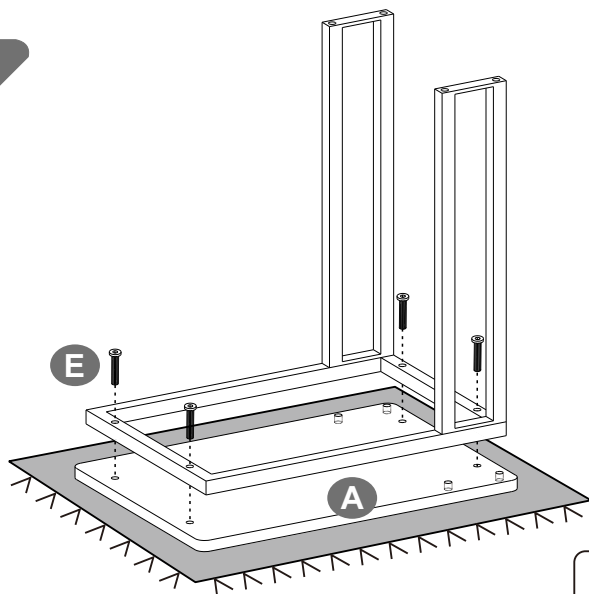


**E**



4PCS

2

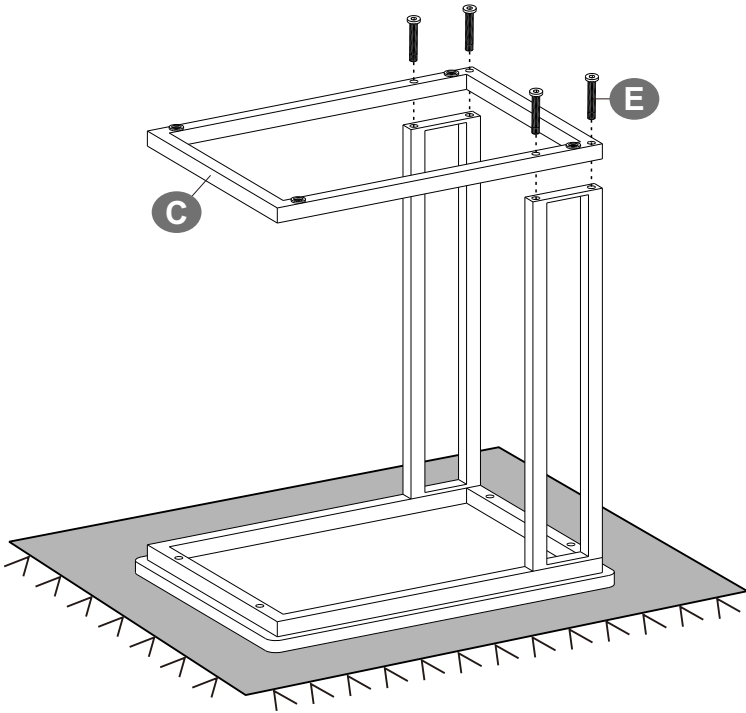



**E**



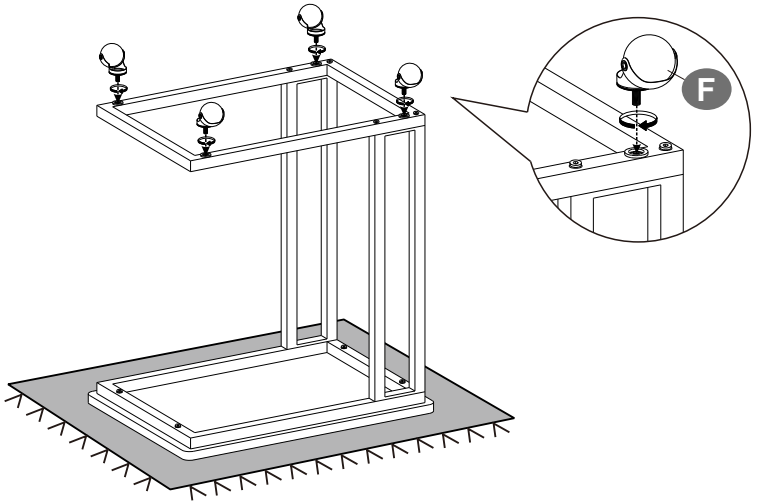
4PCS

3

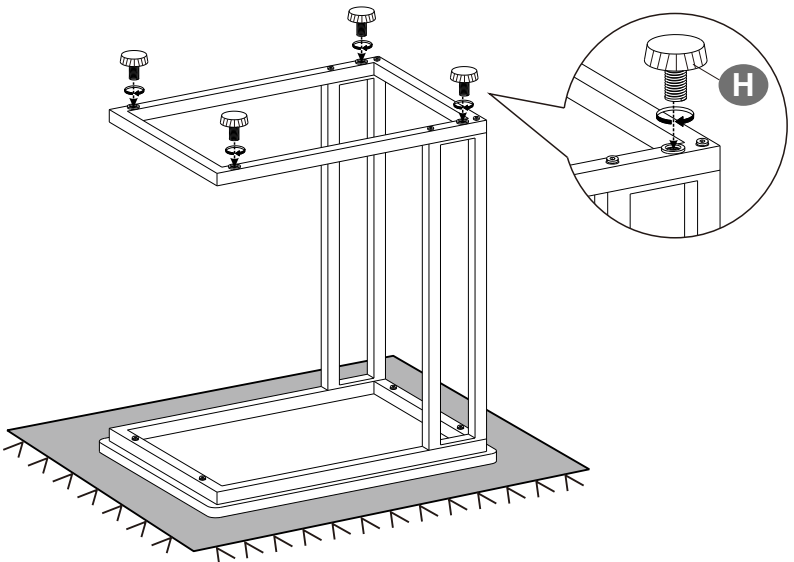


**E**  4PCS

4



- It can be mounted with castors or feet to meet your needs.



5

